

## DESCRIPTION : ELECTROMAGNETIC HORN

### Main specifications and performances

Nominal voltage	12	Vdc
Voltage range	11.5-13.8	Vdc
Current consumption	6 / each	A
Sound pressure level	128	dB(A)
Frequency 'H'	500	Hz
Frequency 'L'	400	Hz
Operating temperature	-30°C to +80	°C
Storage temperature	-30°C to +80	°C
Corrosion resistance	> 480 (salt spray test)	Hours
Operating relative humidity	30 to 80	%
Durability (1 sec ON, 4 sec OFF)	>100000	Cycles
Continuous blowing	> 5	min
Electrical insulation	1000	Vdc
Vibration (30 min, 3 axis)	1	g
Weight (each)	190 EACH	g
Main Materials	ABS, Steel, Aluminum	
Main applications	Cars, Trucks, Motorcycles, Special Vehicles	

### Available Electrical Connection

Double Pole Terminal 6.3 x 0.8 mm

### Conformity to Standards of:

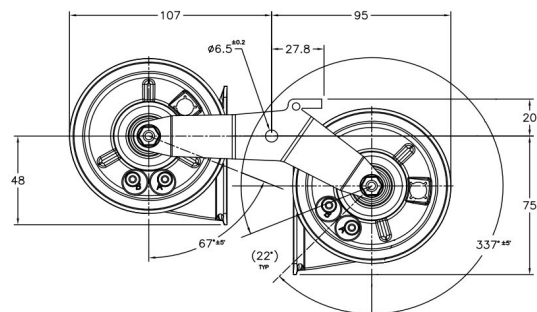
CEE 70/388  
 REG. 28 ECE  
 CEE 2009/19  
 REG.10 ECE

Part Number

7203122

## HIGH & LOW TONE REPLACEMENT KIT

### Dimensions (mm)



### Other specifications

**Mechanical connection:** flat and rigid surface facing the bracket edge

**Horn's Protection:** choose an installation area protected from direct water and mud splash

