

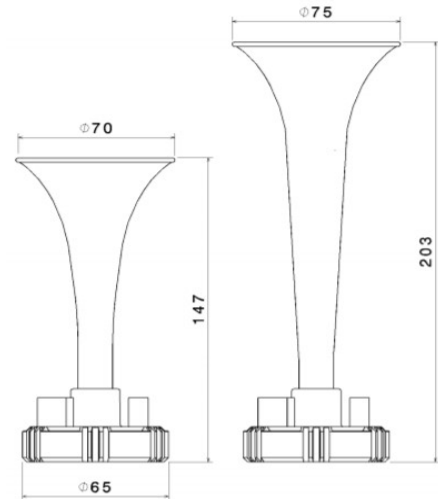
DESCRIPTION : AIR HORN

TWO TRUMPET RIVERIA

Main specifications and performances

Nominal voltage	12	Vdc
Voltage range	11.5-13.8	Vdc
Current consumption	20 / each	A
Sound pressure level	117 (2m)	dB(A)
Frequency 'H'	825	Hz
Frequency 'L'	670	Hz
Operating temperature	-30°C to +80	°C
Storage temperature	-30°C to +80	°C
Corrosion resistance	> 96 (salt spray test)	Hours
Operating relative humidity	30 to 80	%
Durability (1 sec ON, 4 sec OFF)	>30000	Cycles
Continuous blowing	> 2	min
Electrical insulation	500	Vdc
Vibration (30 min, 3 axis)	1	g
Weight (each)	685	g
Main Materials	ABS, Steel, Aluminum	
Main applications	Cars, Trucks, Motorcycles, Special Vehicles	

Dimensions (mm)



Available Electrical Connection

Double Pole Terminal 6.3 x 0.8 mm



Pneumatic connection

Trumpets/compressor : Plastic tube L=667

Conformity to Standards of

PRODUCT C E E 70/388
R. 28 ECE/ONU
CEE 95/54

Part Number 6602023 12 volt

Other specifications

Mechanical connection: flat and rigid surface facing the bracket edge

Horn's Protection: choose an installation area protected from direct water and mud splash

Packaging: Blister

Master carton: 10 pieces

